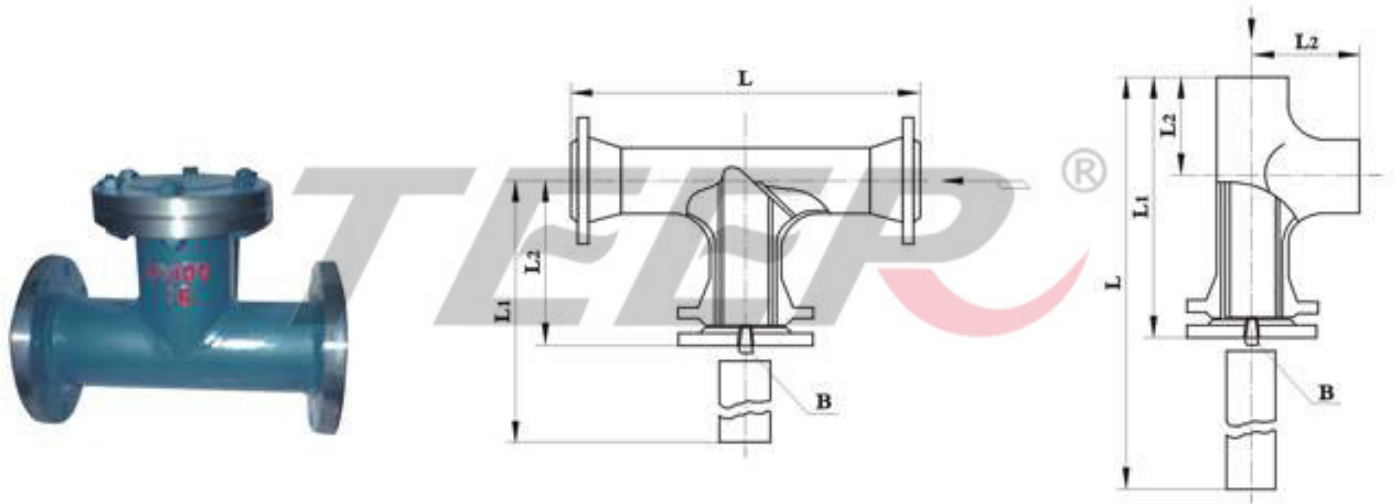


T-Strainer



Dimension:

Unit:mm

Model	DN	L	L1	L2	B1 Outlet			Mesh Area (?O)	Weight (kg)
					I	II	III		
ST34C-J16	50	268	298	158	R3/8?;À	DN20	DN20	0.00277	13.6
	65	304	337	179				0.00421	18.9
	80	330	370	195.5				0.00550	24
100	382	432	225	0.0088				36	
ST34C-J25	150	482	557	280		Flat	Raised	0.01696	68
ST34C-J40	200	578	678	332.5		R F	M	0.0355	140
ST34C-J20	250	660	791	383				0.0529	216
ST34C-J50	300	768	918	437				0.0686	315

Dimension:

Unit:mm

Model	DN	L	L1	L2	B1 Outlet	Mesh Area	Weight
-------	----	---	----	----	-----------	-----------	--------

					I	II	III	(?O)	(kg)		
ST16C-J16	50	402	222	64	R1/2?jÀ	DN20	DN20	0.00387	8		
	65	469	255	76				0.00592	12		
	80	512	282	89				0.00811	15		
ST16C-J25	100	590	330	105	R3/4?jÀ	Flat	Raised	0.013	23		
ST16C-J40	150	773	423	143				RF	M	0.026	47
ST16C-J20	200	951	510	178						0.0459	98
	250	1099	599	216	0.0706	154					
ST16C-J50	300	1291	691	254				0.0942	232		

Copyright: 2006 (C) China Zhejiang Teer Valve Co., Ltd.

Dong-ou Industrial Zone, Wenzhou, Zhejiang, China, 325100

Int'l trade: Tel:(86)577-57999777 67995111 67995115 67995116 Fax:57999888 Local sales: Tel:57989999 Fax:57989988

[HTTP://www.chinateer.com](http://www.chinateer.com) E-mail: trade@chinateer.com